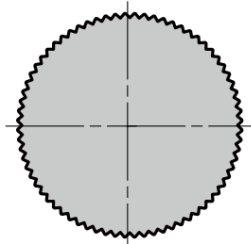
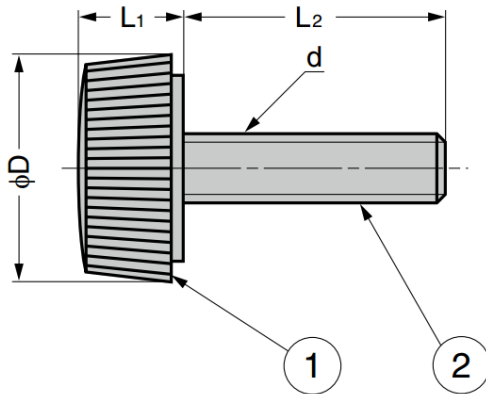


## GUN-W Urea Resin Thumbscrew Knob

### Features

- Suitable for applications such as switchboards, control and distribution boards



No.	Part Name	Material	Finish / Colour
①	Knob	Urea Resin (UF)	White
②	Screw	Steel (SWRCH)	Coloured Zinc Chromate (Trivalent)

Part No.	L <sub>1</sub>	L <sub>2</sub>	D	d
GUN-2000W	5	6	11	M3
GUN-2003W		16		
GUN-2006W		8		
GUN-2007W		12		
GUN-2008W		16		
GUN-2010W	6.2	8	14	M4
GUN-2011W		10		
GUN-2012W		12		
GUN-2013W		16		
GUN-2016W		9		
GUN-2017W		15		
GUN-2018W	27			
GUN-2022W	8	9	17	M5
GUN-2026W		12		
GUN-2030W		15		
GUN-2030W	10.5	15	20	M6